

PISCES VMK, Inc.

SGA-22 & 32 *Eviscerating Units*

The Pisces SGA-22 and 32 are Salmon eviscerating units that include an active cutting system to enable removal of roe and/or viscera without the need for pre-gulleting.

Traditional roe-saving machines require a gulleting operation to separate the gullet at the throat of the fish, and rely on a pulling action to separate the egg sac or viscera from the body of the fish. This pulling operation often leads to the skein and sac being either damaged or pulled from the roe, thereby reducing value.

The SGA-22 & 32 utilize an active cutting system, rather than a static blade, to ensure clean cutting of the gullet and membrane, and removal of roe or viscera intact and undamaged. Care is also taken to ensure that the roe/viscera is exposed to only a minimum amount of water.

The SGA-22 is designed for head-off operations, while the SGA-32 incorporates additional guides and control mechanisms to allow for head-on operation.

The SGA-22 & 32 are made of all non-corrosive materials and comply with all CE machinery directives for safety, hygiene and ease of cleaning.



- **High speed**
- **One operator**
- **Versatile design**
- **Simple to operate**
- **Easy to maintain**
- **Low operating cost**

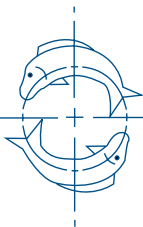
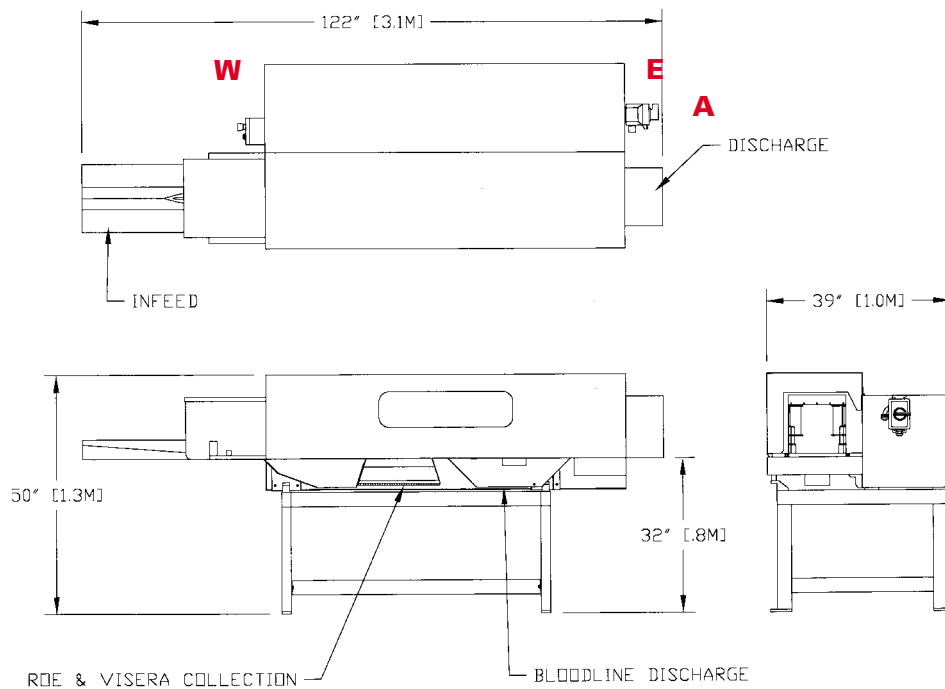
SGA 22 & 32 *Eviscerating Units*

Technical Specifications

Water Connections	Standard garden hose connection 1/2"
Water Usage	5 US gallons per minute or 18.9 liters per minute
Air	90 PSI (6.2 BAR) 1CFM (28.3 Liters/Min) SGA 32 only
Electrical	Per Customer Specifications
Power	24 Amps at full load @ 220 v, 4.5 Kw
Operators	One
Net Weight	2500 lbs. (1200 Kgs)
Weight Export Crated	Contact Pisces for details
Crate Volume	Contact Pisces for details

Specifications subject to change without notice • This machine is subject to U.S. and International patents and meets all CE machine directives.

W= Water connection • **E**= Electrical connection • **A**= Air connection



PISCES VMK, Inc.

P.O. BOX 189
WELLS, MICHIGAN 49894
TEL: 906/789-1636
FAX: 906/789-1211
E-MAIL: pisces@pisces-ind.com