



PISCES VMK, Inc.

FR-75 *Small Volume Filleting Machine*



The FR-75 is designed with the smaller processor in mind. The machine's simple design and construction make operation and maintenance easy. The FR-75 uses only one motor which makes it ideal for a small plant with only single phase power. The design simplifications have not effected the performance. The machine still processes a wide variety of fish from head-off, gutted fish into fillets. The FR-75 needs very little adjustment to handle various sizes.

Method of operation

An operator places a head-off gutted fish onto the feed rail, the feed rollers then carry the fish into the drive belts. The fish is transported by the drive belts to a pair of blades which remove the backbone. The backbone is ejected out of the bottom of the machine while the fillet continues to the rib removal blades. The ribs are then removed from the fillets with the waste ribs ejected out of the bottom of the machine. The rib and backbone free fillets then exit the machine.

The FR-75 can process fish from 12 oz (700g) to 8 lbs (3.6-kg) depending on species and the internal configuration of the machine. A sample of species that can be processed on the FR-75 includes: Trout, Salmon, Basa, Ocean Perch, Red Fish, Lake White Fish, Walleye, Mullet, Small Snappers and Rock Fish.

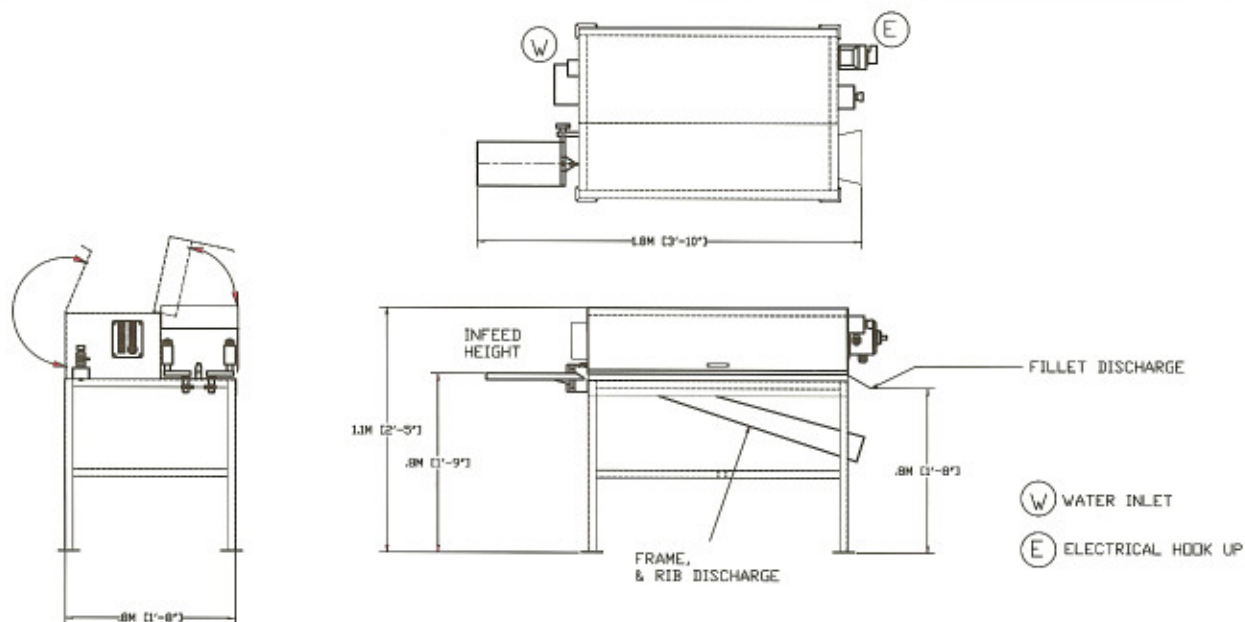


FR-75 Small Volume Filleting Machine

Technical Specifications

Water Connections	Standard garden hose connection 1/2"
Water Usage	3 US gallons per minute with belt wash
Electrical	Per customer specifications, single or three-phase available
Power	6 amps full load @ 220 v, 6 Kw
Belt Speed	40 feet per minute
Operators	One
Net Weight	550 Lbs. (250 Kg)
Weight Export Crated	770 Lbs. (350 Kg)
Crate Volume	38"Width x 66"Length x 52"Height

Specifications subject to change without notice • This machine is subject to U.S. and International patents and meets all CE machine directives.



PISCES VMK, Inc.

P.O. BOX 189
WELLS, MICHIGAN 49894
TEL: 906/789-1636
FAX: 906/789-1211
E-MAIL: pisces@pisces-ind.com