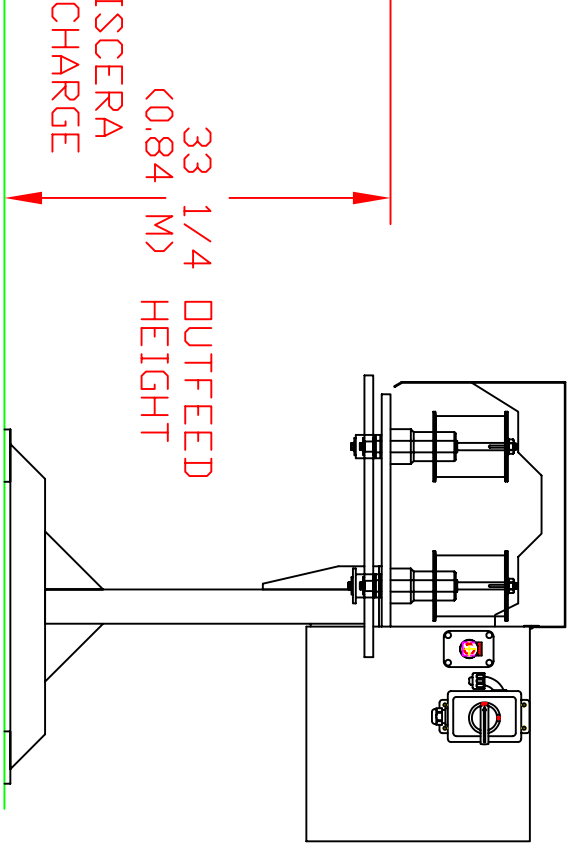
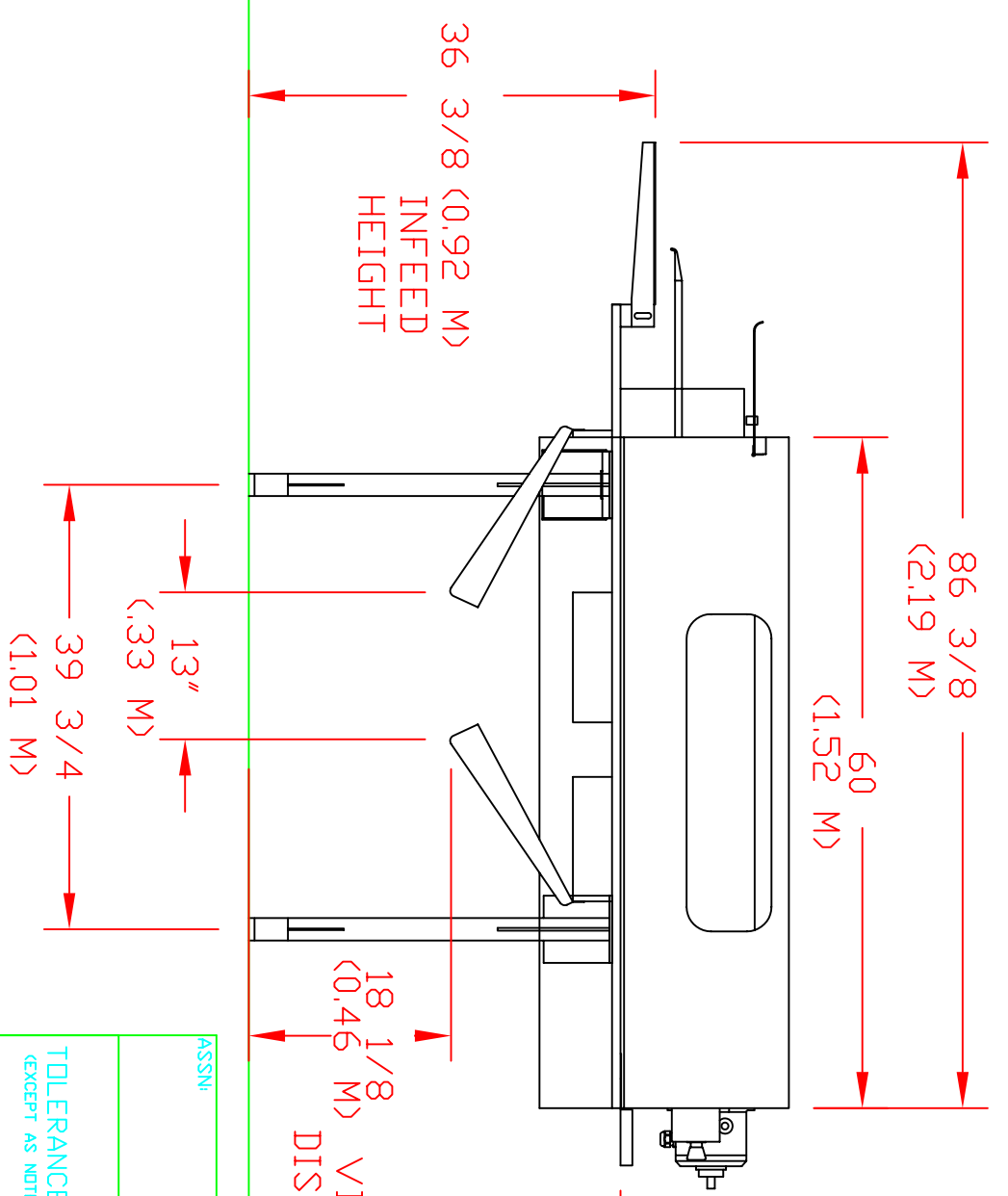
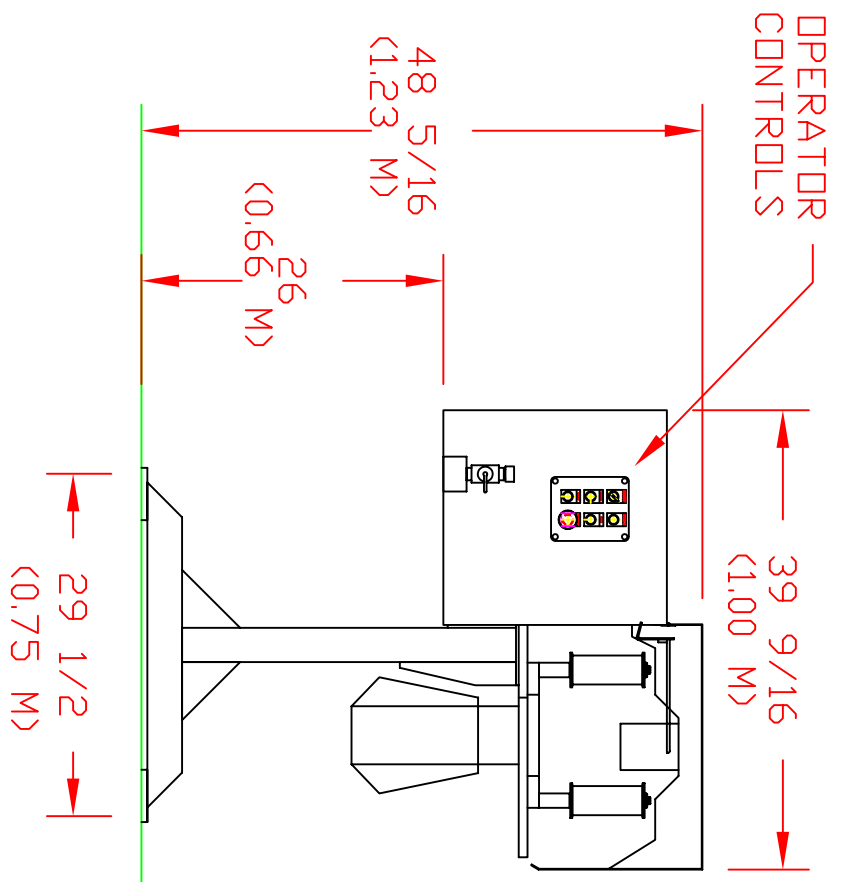
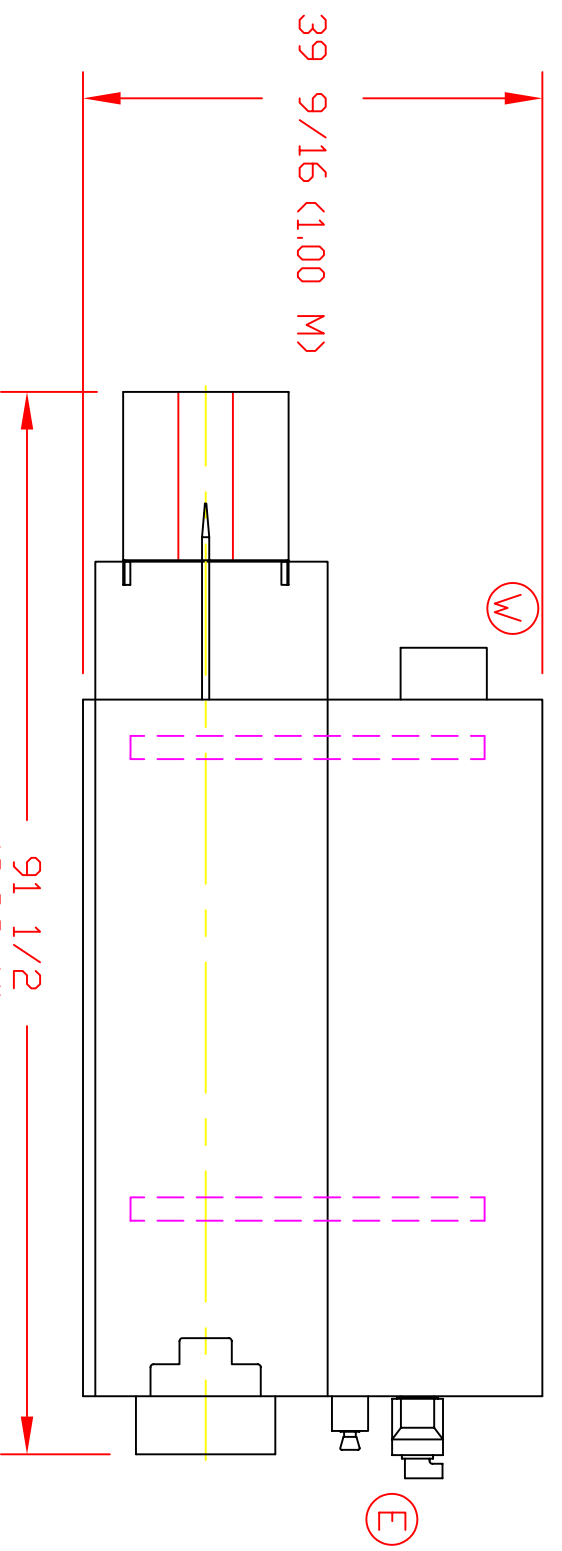


DATE	SYM	REVISION	RECORD	DR.	CK.

Ⓜ ELECTRICAL CONNECTION
Ⓜ WATER CONNECTION



ASSN: FINISH SIZE:

TOLERANCES (EXCEPT AS NOTED)
 PISCES Ind. Ltd.

DECIMAL: .000 ± .005
.00 ± .010
0 ± .015
FRACTIONAL ± 1/32
MATERIAL REF
SCALE 1/18
DRAWN BY JAS
APPROVED BY

TITLE DC-20 EVISCERATOR

ROUGH WEIGHT DATE 10/17/96 DRAWING NUMBER MC062