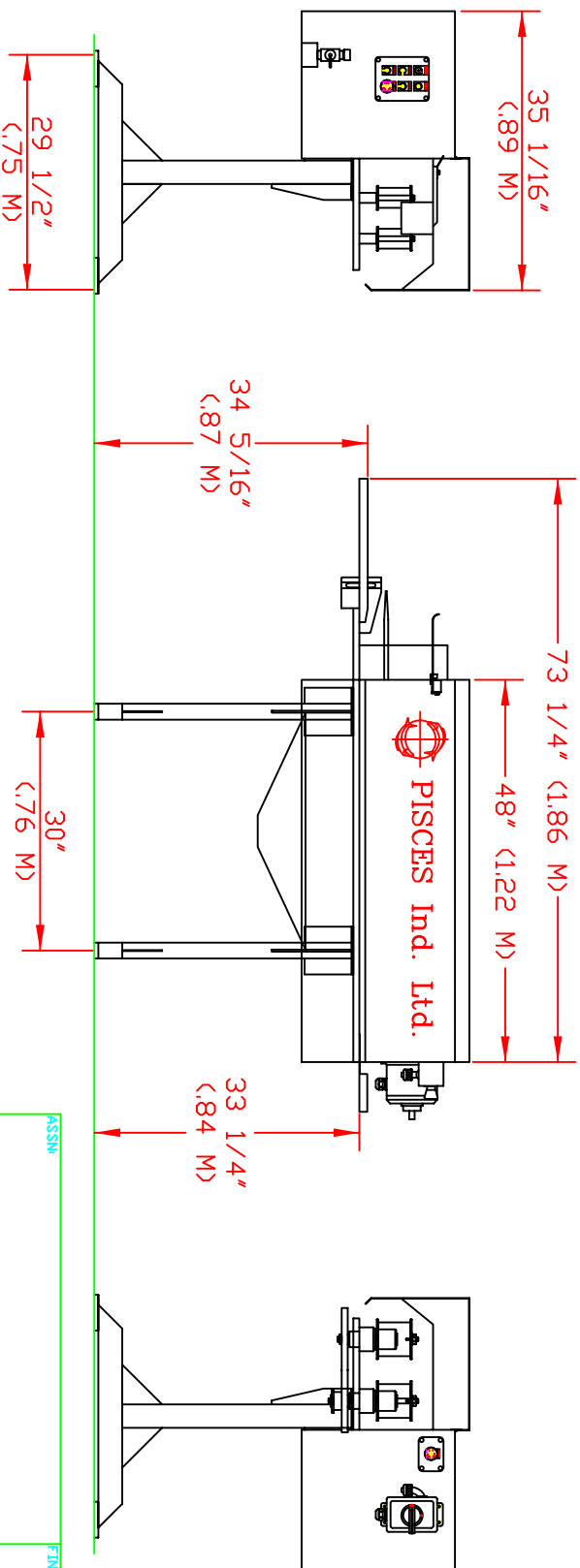
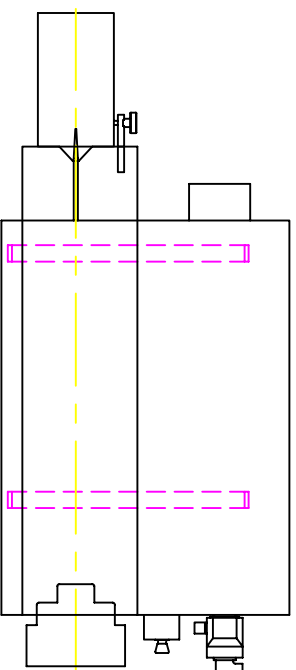



DATE	SYM	REVISION	RECORD	DR.	CK.



ASSN:		FINISH SIZE:	
TOLERANCES (EXCEPT AS NOTED)			
DECIMAL .000 ± .005 .01 ± .010 .1 ± .015		MATERIAL REF	
FRACTIONAL ± 1/32		TITLE	
 PISCES Ind. Ltd.			
ROUGH WEIGHT		DATE	
03/29/04		MC308	
DRAWING NUMBER		SCALE	
1/18		DRAWN BY JAS	
EVISERATING MACHINE		APPROVED BY	